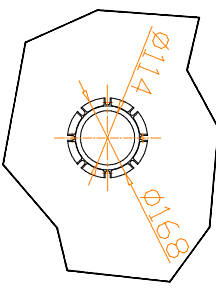
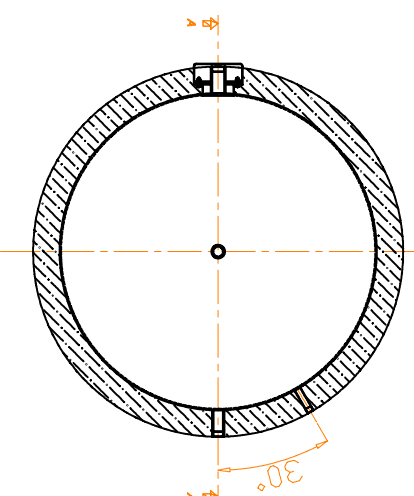
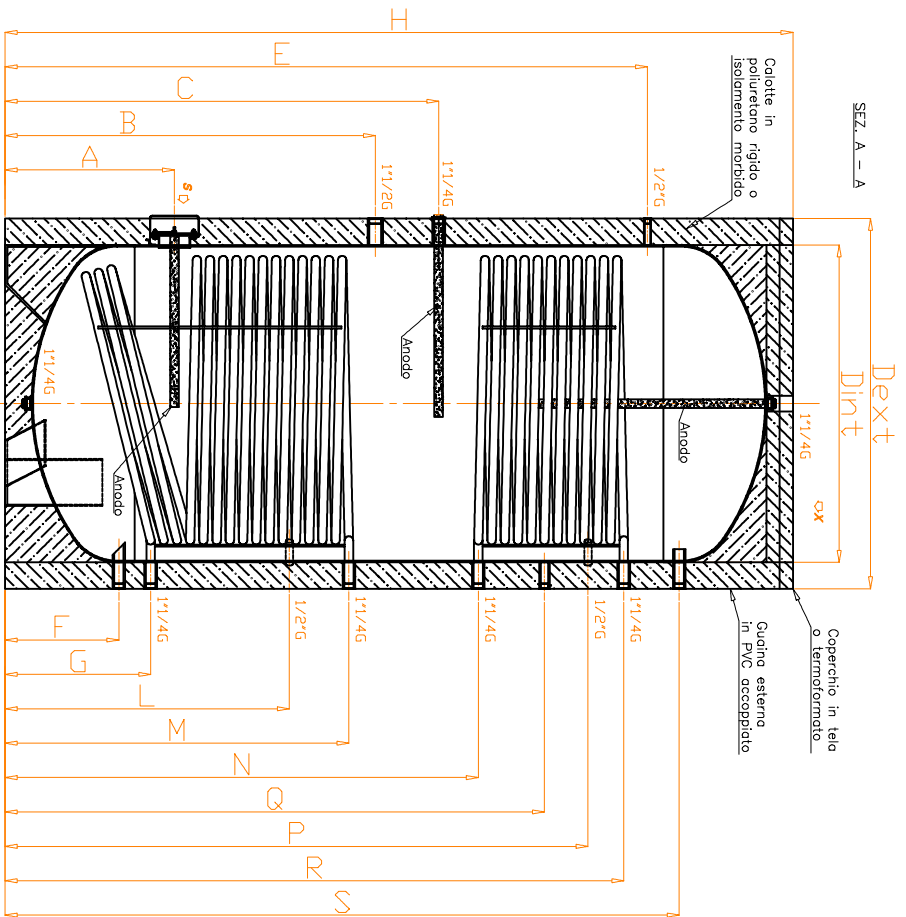


RE-TANK DS SOLARE

MODEL/MODELLO	200	300	400	500	750	1000	1500	2000	2500	3000
Total Volume	200	300	400	500	750	1000	1500	2000	2500	3000
Volume serbatoio	Liters									
Max. tank work. pressure	bar	10	10	10	10	10	10	10	10	10
Max. press. essiccio bollitore	°C	95	95	95	95	95	95	95	95	95
Max. temp. essiccio bollitore	m³/h	0,65	0,65	1,02	1,8	1,8	1,8	2,2	2,6	2,8
Max. tank work. temperature	(kW)	(26)	(26)	(41)	(72)	(74)	(74)	(89)	(104)	(113)
Upper exchanger water prod. DT=35°C (80/85-10/45)	m³/h	1,25	1,25	1,42	1,8	1,8	3,1	3,3	3,5	3,8
Prod. acqua serp. sup. DT=35°C (80/85-10/45)	(kW)	(51)	(51)	(57)	(72)	(74)	(125)	(133)	(142)	(154)
Lower exchanger water prod. DT=35°C (80/85-10/45)	m³/h	0,5	1,1	1	1,4	1,7	1,7	2	3,1	3,4
Prod. acqua serp. inf. DT=35°C (80/85-10/45)	m³/h	1,6	1,8	2	2,4	2,7	3,2	3,8	5,2	6,4
Necessary capacity upper heat exchanger	m²	0,9	1,0	1,0	1,9	2,4	2,5	2,5	3	3,8
Necessary capacity lower heat exchanger	m²	0,9	1,0	1,0	1,9	2,4	2,5	2,5	3	3,8
Portata necessaria al serpentino inferiore	m²	0,9	1,7	1,7	1,9	2,4	2,5	4,2	4,5	4,8
Superficie di scambio serpentina sup.	m²	0,9	1,7	1,7	1,9	2,4	2,5	4,2	4,5	4,8
Superficie di scambio serpentina inf.	m²	0,9	1,7	1,7	1,9	2,4	2,5	4,2	4,5	4,8
Total heights	Hi mm	1260	1700	1690	1805	1870	2120	2285	2550	2680
Altezza totale	Ht mm	610	610	710	760	950	950	1200	1300	1400
External diameter (with insul.)	Dext mm	500	500	600	650	790	790	1000	1100	1200
Diámetro externo (con isolam.)	Dint mm	500	500	600	650	790	790	1000	1100	1200
Internal diameter (without insul.)	Di mm	500	500	600	650	790	790	1000	1100	1200
Diámetro interno (sinza isolam.)	Dint mm	500	500	600	650	790	790	1000	1100	1200
Cold water	F mm	1"	1"	1"	1 1/4"	1 1/4"	1 1/4"	1 1/4"	1 1/4"	1 1/4"
Acqua fredda	G mm	67	67	79	79	220	220	315	340	430
Return solar circuit	L mm	26,4	26,4	28,6	28,6	38,5	38,5	47,0	46,0	55,0
Ritorno circuito solare	M mm	47,4	41,4	66,0	43,6	68,5	68,5	94,5	98,5	107,5
Tank solar sensor	N mm	57,9	84,9	84,6	82,6	83,5	83,5	118,0	116,0	125,0
Scada circuito solare	O mm	67,9	97,9	101,1	95,6	99,0	99,0	133,0	145,0	179,0
Supply solar circuit	P mm	3,4"	3,4"	3,4"	1"	1"	1"	1"	1"	1"
Mandata circuito solare	Q mm	89,4	114,1	116,3	123,5	123,5	148,0	165,0	174,0	204,0
Return heating	R mm	124,5	139,1	134,0	134,0	160,0	160,0	182,5	190,5	220,5
Ritorno riscaldamento	S mm	129,4	136,1	136,1	144,0	173,5	173,5	200,0	204,0	234,0
Circulation	T mm	160,8	158,1	167,1	159,0	184,0	193,5	221,0	225,0	255,0
Scada riscaldamento	U mm	257	257	268	268	400	400	520	550	640
Supply heating	V mm	62,9	91,4	89,1	89,0	89,0	125,5	131,0	140,0	140,0
Mandata riscaldamento	W mm	62,9	91,4	89,1	89,0	89,0	125,5	131,0	140,0	140,0
Hot water	X mm	62,9	91,4	89,1	89,0	89,0	125,5	131,0	140,0	140,0
Acqua calda	Y mm	62,9	91,4	89,1	89,0	89,0	125,5	131,0	140,0	140,0
Electr. aux. heating system	Z mm	62,9	91,4	89,1	89,0	89,0	125,5	131,0	140,0	140,0
Resistenza elettrica	AA mm	62,9	91,4	89,1	89,0	89,0	125,5	131,0	140,0	140,0
Connection for anode	AB mm	62,9	91,4	89,1	89,0	89,0	125,5	131,0	140,0	140,0
Comessione per anodo	AC mm	62,9	91,4	89,1	89,0	89,0	125,5	131,0	140,0	140,0
Thermometer	AD mm	62,9	91,4	89,1	89,0	89,0	125,5	131,0	140,0	140,0
Termometro	AE mm	62,9	91,4	89,1	89,0	89,0	125,5	131,0	140,0	140,0
Efficiency energy class - Total heat loss (Wh/24h)	AF mm	62,9	91,4	89,1	89,0	89,0	125,5	131,0	140,0	140,0
Eficienza energia class - Dispers. tot.	AG mm	62,9	91,4	89,1	89,0	89,0	125,5	131,0	140,0	140,0



RE-TANK DS - MANUFACTURING FEATURES
 --> built and enamelled according to DIN 4753 (part 1, 3, 6)
 --> materials according UNI EN 10025;
 --> welded according UNI EN 287-1:2004

DETAGLIO "S" (seala 1.5.1):
 particolare del fronte flangia

RE-TANK DS - EXTERNAL INSULATION
 --> Modulating insulating system
 --> soft polyurethane shells (1500I-2000I-3000I-4000I-5000I-7500I-10000I);
 --> self polyurethane (1500I-2000I-2500I-3000I);
 --> thickness 50mm (1500I-2000I-3000I-4000I-5000I);
 --> thickness 70mm (7500I-10000I);
 --> thickness 100mm (15000I-20000I-25000I-30000I);
 --> free from GFC and HFC;
 --> self extinguishing;
 --> external sheath in coupled PVC of various colours;
 --> side thermoplastic cover lid for flange
 --> upper thermoplastic cover lid

BOLLITORE SOLARE DOPPIO
 SERPENTINO RE-TANK DS