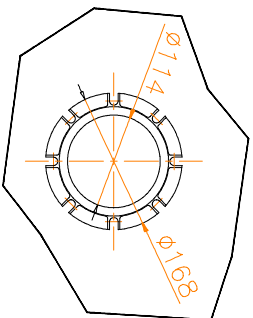
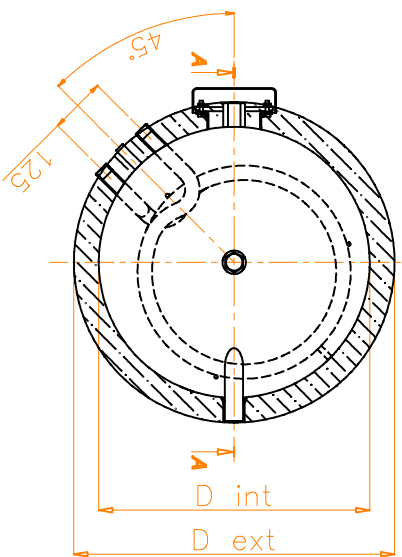
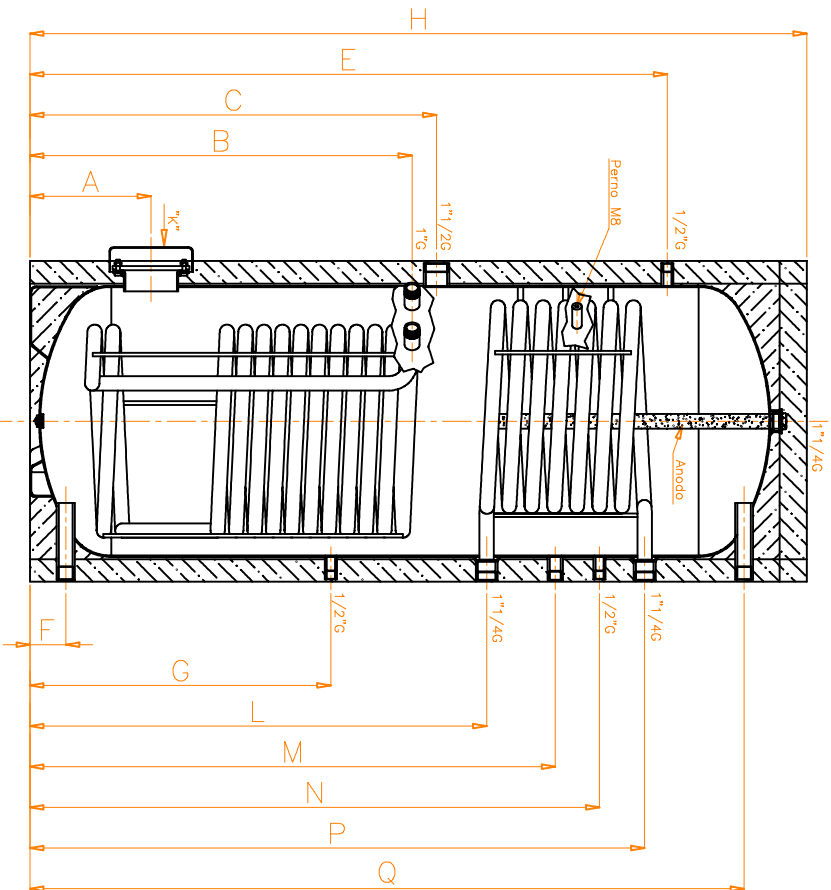


SEZ-A-A



-DETTAGLIO "K"-
Vista frontale orello flangia

MANUFACTURING FEATURES

- > built and enamelled according to DIN 4753 (part 1, 3, 6)
- > materials according UNI EN 10025;
- > welded according UNI EN 287-1:2007

EXTERNAL INSULATION

- > stiff polyurethane shells;
- > thickness 50mm;
- > free from CFC and HCFC;
- > self extinguishing;
- > external sheath in ABS grey color;
- > side thermoplastic cover lid for flange

RE-TANK BCP DS con pompa integrata

MODEL/MODELLO	LITERS			
	200	300	400	500
Total volume	200	300	400	500
Volume serbatoio	200	300	400	500
Max. tank work. pressure	10 bar	10	10	10
Max. press. esercizio bollitore	10	10	10	10
Max. temp. esercizio bollitore	95 °C	95	95	95
Upper exchanger water prod. DT=35°C (80/80-10/45)	0.6 m ² /h (24) (KW)	0.7 (27)	0.7 (27)	0.7 (27)
Prod. acqua serp. sup. DT=35°C (80/80-10/45)	0.6 (24)	1.1 (45)	1.4 (57)	1.4 (57)
Lower exchanger water prod. DT=35°C (80/80-10/45)	0.6 (24) (KW)	1.1 (45)	1.4 (57)	1.4 (57)
Prod. acqua serp. inf. DT=35°C (80/80-10/45)	0.6 (24)	1.1 (45)	1.4 (57)	1.4 (57)
Necessary capacity upper heat exchanger	1.0 m ² /h	1.1	1.1	1.1
Portata necessaria al serpentino superiore	1.0	1.1	1.1	1.1
Necessary capacity lower heat exchanger	1.0 m ² /h	1.9	2.4	2.4
Portata necessaria al serpentino inferiore	1.0	1.9	2.4	2.4
Upper heating exchanger surface	1.0 m ²	0.9	0.9	0.9
Superficie di scambio serpentina sup.	1.0	0.9	0.9	0.9
Lower heating exchanger surface	0.8 m ²	1.5	1.9	1.9
Superficie di scambio serpentina inf.	0.8	1.5	1.9	1.9
Total height	1260 mm	1706	1720	1805
Altezza totale	1260	1706	1720	1805
External diameter (with insul.)	610 mm	610	710	760
Diametro esterno (con isolam.)	610	610	710	760
Internal diameter (without insul.)	500 mm	500	600	650
Diametro interno (senza isolam.)	500	500	600	650
Flange	258 mm	258	268	335
Flangia	258	258	268	335
Supply/Return solar circuit	579 mm	804	846	885
Mandata/ritorno circuito solare	579	804	846	885
Electr. aux. heating system	629 mm	914	900	949
Resistenza elettrica	629	914	900	949
Thermometer	929 mm	1384	1411	1480
Termometro	929	1384	1411	1480
Cold water	1" F	1" F	1" F	1 1/4" F
Acqua fredda	67	67	79	175
Tank solar sensor	474 mm	654	666	685
Sonda circuito solare	474	654	666	685
Return heating	679 mm	979	1011	1035
Ritorno riscaldamento	679	979	1011	1035
Circulation	3/4" M	3/4" M	3/4" M	1" M
Ritorno	800	1111	1163	1185
Tank sensor of heating	894 mm	1209	1261	1285
Sonda riscaldamento	894	1209	1261	1285
Supply heating	994 mm	1294	1361	1385
Mandata riscaldamento	994	1294	1361	1385
Hot water	1" Q	1" Q	1" Q	1 1/4" Q
Acqua calda	1164	1608	1581	1595
Efficiency energy class - Total heat loss	C-1.6	C-1.9	C-2.3	C-2.4
classe efficienza energ. - Dispers. totali	C-1.6	C-1.9	C-2.3	C-2.4

BOLLITORE SOLARE DOPPIO

SERPENTINO

RE-TANK BCP DS CON GRUPPO POMPA INTEGRATO



27-02-2017

Revisione: 02