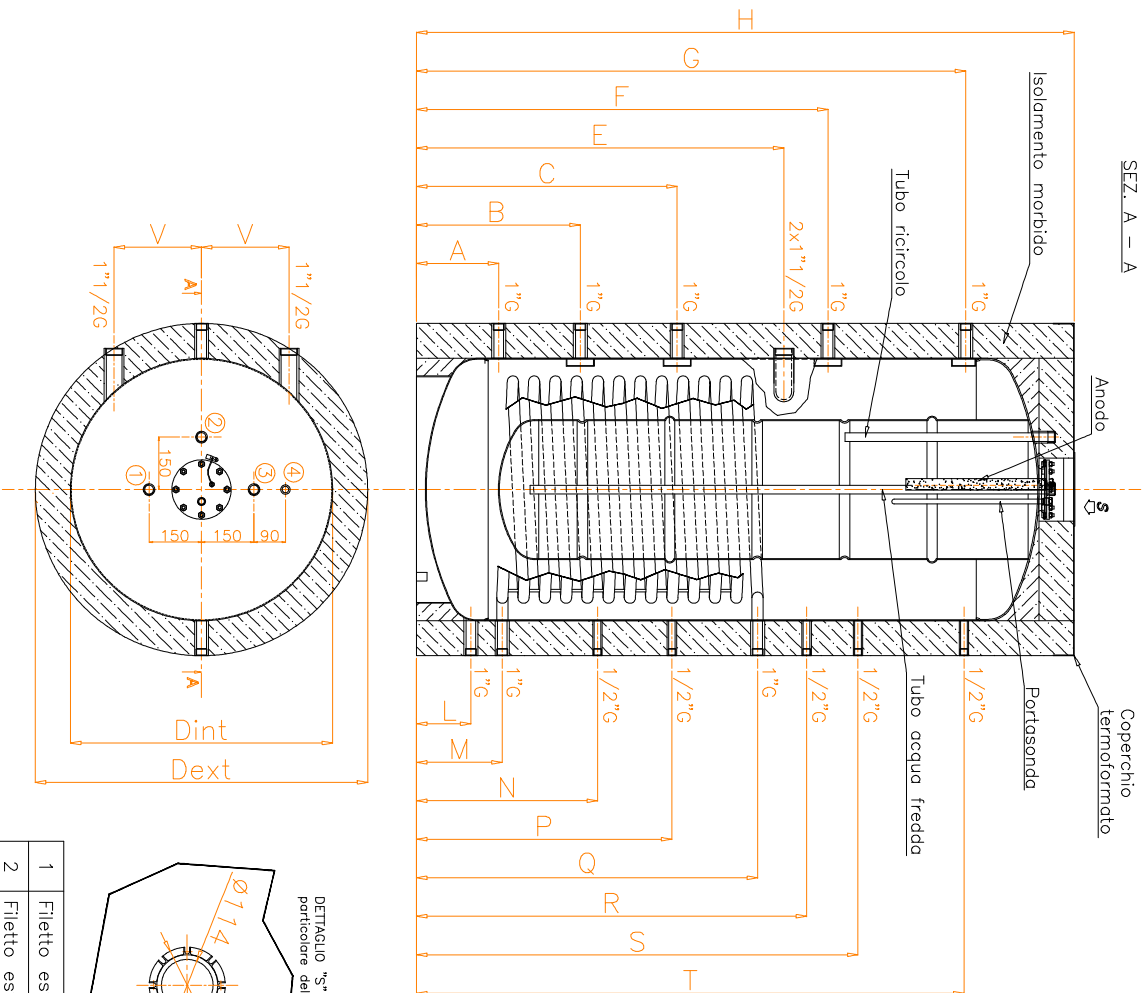
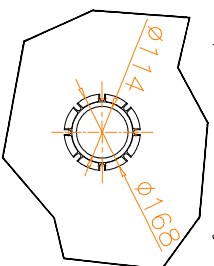


SEZ. A – A



1	Filetto esterno 1" G
2	Filetto esterno 1" G
3	Filetto esterno 1" G
4	Filetto interno 1" G



DUPLEX Series – EXTERNAL INSULATION

- > soft polyurethane;
- > thickness 100mm;
- > free from CFC and HCFC;
- > external sheath in coupled PVC of various colours;
- > side thermoplastic cover lid for flange
- > upper thermoplastic cover lid

DUPLEX Series – MANUFACTURING FEATURES

- > inside enamelled tank according to DIN 4753 (part 3)
- > materials according UNI EN 10025;
- > welded according UNI EN 287-1:2004

MODEL/MODELLO	DUPLEX 600/150	DUPLEX 750/200	DUPLEX 1000/220	DUPLEX 1500/300
Tank in tank total volume	600	750	1000	1500
Volume totale serbatoio	600	750	1000	1500
Inside enamelled tank volume	150	200	220	300
Volume serbatoio acqua sanitaria	150	200	220	300
Outside buffer tank volume	450	550	780	1200
Volume serbatoio esterno	450	550	780	1200
Max. inside tank working pressure	10	10	10	10
Max. press. serb. sanitario	10	10	10	10
Max. outside tank working pressure	3	3	3	3
Max. press. esercizio accumulo esterno	3	3	3	3
Water prod. DT=35°C (80/60-10/45)	1,5	1,7	1,8	2,1
Prod. acqua DT=35°C (80/60-10/45)	(59)	(62)	(69)	(96)
Max. tank work. temperature	95	95	95	95
Max. temp. esercizio serbatoio	95	95	95	95
Heat exchangers max. tank work. temp.	110	110	110	110
Max. temp. esercizio scambiatori	110	110	110	110
Necessary capacity heat-exchanger	2,7	2,9	3,2	3,7
Portata necessario al serpentino	2,7	2,9	3,2	3,7
Heating exchanger surface	2,4	2,5	2,8	3,9
Superficie di scambio	2,4	2,5	2,8	3,9
Total height	1625	1880	2090	2100
Altezza totale	1625	1880	2090	2100
External diameter (with insul.)	950	950	990	1200
Diametro esterno (con isolam.)	950	950	990	1200
Internal diameter (without insul.)	750	750	790	1000
Diametro interno (senza isolam.)	750	750	790	1000
Return heating	A	235	235	390
Ritorno riscaldamento	A	235	235	390
Free connection	B	475	468	600
Commissione libera	B	475	468	600
Free connection	C	750	745	900
Commissione libera	C	750	745	900
Electric heater	E	900	1050	1075
Attacchi resistenza elettrica	E	900	1050	1075
Free connection	F	1035	1050	1150
Commissione libera	F	1035	1050	1150
Supply heating	G	1315	1570	1710
Mandato riscaldamento	G	1315	1570	1710
Drainage	L	155	155	170
Scarico	L	155	155	170
Return solar circuit	M	245	245	270
Ritorno circuito solare	M	245	245	270
Solar faeler	N	-	-	630
Attacco sonda solare	N	-	-	630
Solar faeler	P	520	730	800
Attacco sonda solare	P	520	730	800
Supply solar circuit	Q	835	975	1000
Mandato circuito solare	Q	835	975	1000
Feeler	R	960	1115	1200
Attacco sonda	R	960	1115	1200
Feeler	S	1110	1262	1400
Attacco sonda	S	1110	1262	1400
Thermometer	T	1315	1565	1700
Termometro	T	1315	1565	1700
Electric heater	V	250	250	250
Attacco resistenza elettrica	V	250	250	250
Efficiency energy class – Total heat loss	D-3,29	D-3,60	D-4,02	D-5,24
Classe efficienza energ. – Dispers. tot.	D-3,29	D-3,60	D-4,02	D-5,24

BOLLITORE RE-TANK DUPLEX



13-03-2017

Revisione: 02