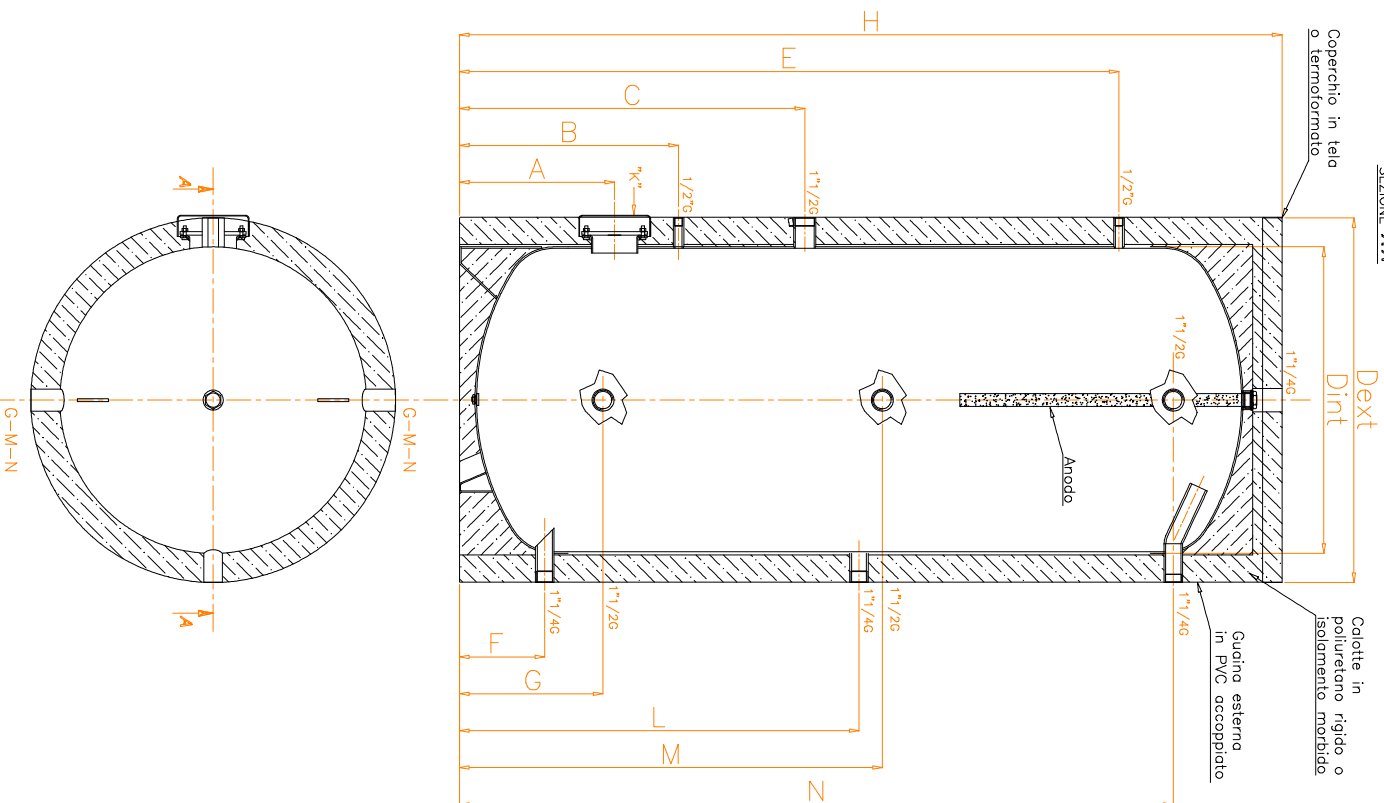


RBSS Series

MODEL/MODELLO	RBSS 500		RBSS 750		RBSS 1000		RBSS 1500		RBSS 2000		RBSS 2500		RBSS 3000		
	Volume serbatoio Liters	Max. tank work. pressure bar	Max. tank work. temperature Max. temp. esercizio bollitore °C	Total height H mm	External diameter (with insul.) D ext mm	Diameter esterno (con isolam.) D ext mm	Internal diameter (without insul.) D int mm	Cold water 1"1/4G F mm	Connections 1"1/2G G mm	Connections 1"1/4G L mm	Connections 1"1/2G M mm	Hot water + connections Acqua calda + connessioni N mm	Flange A mm	Tank sensor Sonda B mm	Electr. aux. heating system Resistenza elettrica 1"1/2G C mm
	500	10	95	1780	760	650	175	325	860	855	1595	355	519	1005	1455
	750	10	95	1870	950	790	220	370	905	965	1590	400	564	1050	1450
	1000	10	95	2120	950	790	220	370	1030	1090	1840	400	565	890	1700
	1500	10	95	2285	1200	1000	315	465	1180	1240	1935	520	685	1255	1795
	2000	10	95	2550	1300	1100	340	490	1275	1335	2210	550	715	1310	2070
	2500	10	95	2680	1400	1200	430	580	1250	1310	2250	640	870	1400	2110
	3000	10	95	2980	1400	1200	430	580	1300	1430	2550	640	805	1400	2410

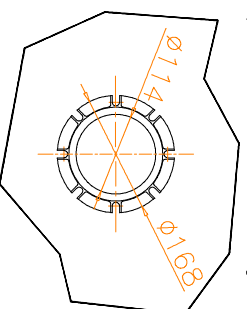
SEZIONE AA



MANUFACTURING FEATURES

- > built and enamelled according to DIN 4753 (part 1, 3, 6)
- > materials according UNI EN 10025;
- > welded according UNI EN 287-1:2004

DETTAGLIO "K" (scala 1,5:1):
particolare del frontale flangia



EXTERNAL INSULATION

- > Modulating insulating system
- > stiff polyurethane shells (500lt-750lt-1000lt);
- > soft polyurethane (1500lt-2000lt-2500lt-3000lt);
- > thickness 50mm (500lt);
- > thickness 70mm (750lt-1000lt);
- > thickness 100mm (1500lt-2000lt-2500lt-3000lt);
- > free from CFC and HCFC;
- > self extinguishing;
- > external sheath in coupled PVC of various colours;
- > side thermoplastic cover lid for hange
- > upper thermoplastic cover lid

**PUFFER SENZA SERPENTINO
RE-TANK RBSS LT**

REVVIS

08-02-2017

Revisione: 01